

| You are in: Lozier Products > Products > Contoured End Display

Contoured End Display

Part Number:



Contoured End Display is a freestanding end display similar to the Wall End Display. It features Shelves and Decks with rounded edges, giving your display a softer look.

Product Details:

Load Rating

- 600 lbs evenly distributed per deck (13" - 19" D)
- 800 lbs evenly distributed per deck (22 - 25" D)

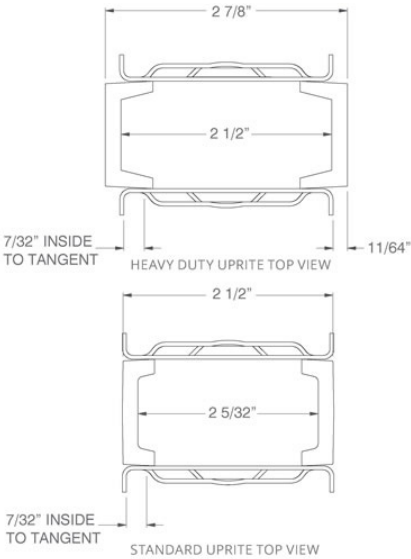
- Same as Wall End Display except includes Contoured End Decks and Contoured Base End Trims.
- Contoured Shelves also available (ordered separately)
- Order Gap Filler to close off the bottom rear when unit is wider than the island width.
- Actual width of unit equals nominal width plus 2"
- Accepts Accessory Panels and connectors
- Stabilizers required and ordered separately for Non-Compliant height to depth Contoured End Displays (See Product Safety information for Height to Depth Chart)
- Contour decks and shelves with only one round corner available for two section displays.

How to Order

25"									
-----	--	--	--	--	--	--	--	--	--

Uprite

- 3/16" thick face channel
- 1" slotted on center for maximum flexibility
- Use for Wall and Island Sections
- Steel welded construction
- Includes side flanges to retain Back material, leveling leg for uneven floors
- Includes Top Caps on Uprites 36"-66"H



Product Options and Numbers

Example Part #: **U 42 PLT**

Uprite: **U**, UH

U Height: 30", 36", **42"**, 48", 54", 60", 66", 72", 78", 84", 90", 96", 102", 108", 114", 120"

UH Height: 72", 78", 84", 90", 96", 108", 120"

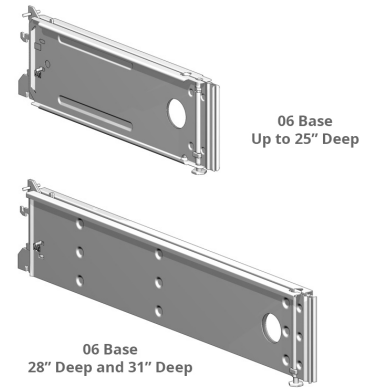
Standard Finish: **PLT**, Optional Catalog Colors

Suffix Key

PLT	- Platinum
U	- Upright
UH	- Heavy Duty Upright

Spring Locking Base Bracket

- Features 2" conduit hole for greater electrical access
- Includes leveling legs for uneven flooring
- Install straight in using integral spring latch
- 28" deep and 31" deep base brackets are only Heavy Duty. There are no Standard Duty 28" deep or 31" deep base brackets.



NOTE

Actual Bracket length is 3" less than nominal Deck depth. Order CHR Base Brackets when using Open Base Fronts. (This is done automatically when section/end part numbers are ordered with OBF's.)

Product Options and Numbers

Example Part #: **BB 19 06 S PTD**

Base Bracket: **BB (Standard Duty)**, BBH (Heavy Duty)

Deck Depth BB: 13", 16", **19"**, 22", 25", 28", 31"

Deck Depth BBH: 16", 19", 22", 25"

Base Height: **06**, LB

Spring Locking Base Bracket: **S**

Standard Finish: **PTD**, Optional CHR

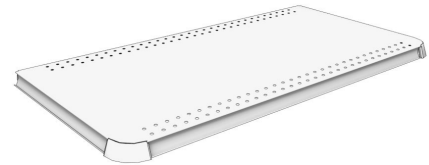
* BB28 and BB31 are rated for Heavy Duty

Suffix Key

06	- 06 Base (8"H)
LB	- Low Base (6"H)
PTD	- Painted Random

Contoured End Deck

- Features rounded corners
- 1.235" Tag Molding formed on three sides
- Will not accommodate Wire Fronts
- Evenly distributed load of 600 lbs per Deck
- Available in Standard (rounded corners both sides) or LH and RH (rounded corner one side only)



Product Options and Numbers

Example Part #: **CED 4 19 N PLT**

CED: Contour End Deck

Round Corner: L (Left hand), R (Right hand) **Blank**(Both)

Width: 2', 30", 3', **4'**

Depth: 13", 16", **19"**, 22", 25"

No Molding: **N**

Standard Finish: **PLT** Optional Catalog Colors

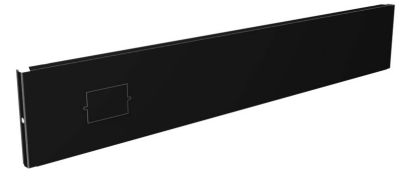
Suffix Key

N - No Molding

PLT - Platinum

Closed Base Front

- 3' and 4' Fronts have an electrical knockout
- Snaps in place beneath Deck to cover gap between Deck and floor
- Fits flush with floor regardless of leveling adjustments



Product Options and Numbers

Example Part #: **CBF 4 06 CHR**

Close Base Front:**CBF**

Section Width: 2', 30", 3', 4'

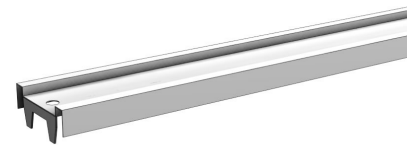
Base Height: **06**, LB

Standard Finish: **CHR**

Suffix Key	
06	- 06 Base (8"H)
LB	- Low Base (6"H)
CHR	- Charcoal Black

Top Rail

- All Island and Wall Sections require one Top, Center and Bottom Rail
- 2' and 30" sections use two Top Rails to make a Splicer Rail
- Electrical knockouts included on all Rails



Product Options and Numbers

Example Part #: **R 4 T PLT**

Rails:**R**

Width: 2', 30", 3', 4'

Top Rail: **T**

Standard Finish: **PLT**, Optional Catalog Colors

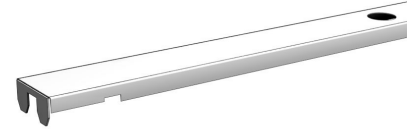
Suffix Key

PLT

- Platinum Color

Center Rail

- All Island and Wall Sections require one Top, Center and Bottom Rail
- 96"H-144"H Backs require two Center Rails
- Center Rail finish is always N/A because it's hidden
- Electrical knockouts included on all Rails



Product Options and Numbers

Example Part #: **R 4 C N/A**

Rails:**R**

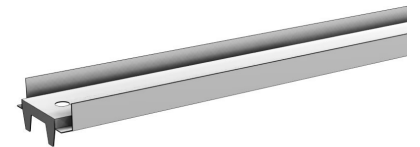
Width: 2', 30", 3', **4'**

Center Rail: **C**

Standard Finish: **N/A**

Bottom Rail

- All Island and Wall Sections require one Top, Center and Bottom Rail
- Electrical knockouts included on all Rails
- Also used for 2' and 30" Slotwall Backs



Product Options and Numbers

Example Part #: **R 4 B PLT**

Rails:**R**

Width: 2', 30", 3', **4'**

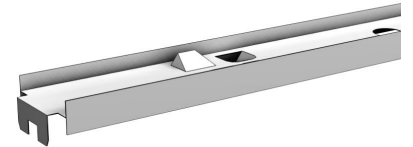
Bottom Rail: B

Standard Finish: PLT, Optional Catalog Colors

Suffix Key	
PLT	- Platinum Color

Splicer Rail

- All Island and Wall Sections require one Top, Center and Bottom Rail
- 78”H - 144”H Backs require one Splicer Rail
- Splicer rail is not available in 2’ or 30”
- Use two top rails for splicer rail on 2’ and 30” wide sections.
- Electrical knockouts included on all Rails



Product Options and Numbers

Example Part #: **R 4 S PLT**

Rails: R

Width: 3’, 4’

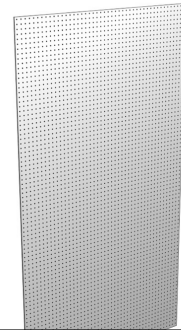
Splicer Rail: S

Standard Finish: PLT, Optional Catalog Colors

Suffix Key	
PLT	- Platinum Color

Hardboard Backs

- Use one-piece Backs for heights 36"-72"
- For heights above 72" order 2 backs, see table below
- Pegboard 9/32" diameter holes, 1" on center
- To order the correct size Back, take Upright height minus 6



Product Options and Numbers

Section Heights: 78"-120" Use 2-Piece Backs		
Upright Height	Order Backs	
78"	BE_36 + BE_36	
84"	BE_30 + BE_48	
90"	BE_36 + BE_48	
96"	BE_42 + BE_48	
102"	BE_66 + BE_30	
108"	BE_66 + BE_36	
114"	BE_66 + BE_42	
120"	BE_66 + BE_48	

Actual Back Height Information		
Upright Height	Nominal Back Height	Actual Height
30"	24"	23 13/16"
36"	30"	29 13/16"
42"	36"	35 13/16"
48"	42"	41 13/16"
54"	48"	47 13/16"
60"	54"	53 13/16"
66"	60"	59 13/16"
72"	66"	65 13/16"

Actual Width Information	
Nominal Width	Actual Width
6"	4 17/32"
12"	10 17/32"
16"	14 17/32"
18"	16 17/32"

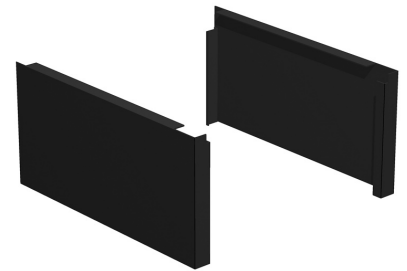
24"	22 17/32"
30"	28 17/32"
32"	30 17/32"
36"	34 17/32"
42"	40 17/32"
48"	46 17/32"

Actual Back Height for Extension Uprite

Uprite Height	Actual Height
6"	5 13/16"
12"	11 13/16"
18"	17 13/16"
24"	23 13/16"
30"	29 13/16"
36"	35 13/16"
42"	41 13/16"
48"	47 13/16"

Contoured End Display Base End Trim

- Sold in pairs
- Installs on standard base brackets of same nominal depth. Base brackets ordered separately.



Product Options and Numbers

Example Part #: **CBET 13 06 CHR**

Contoured Base End Trim: **CBET**

Depth: **13"**, 16", 19", 22", 25"

Base Height: **06**, LB

Standard Finish: **CHR**

Suffix Key

- 06** - 06 Base (8"H)
- LB** - Low Base (6"H)
- CHR** - Charcoal Black

Upright and Extension Upright End Trim

- One-piece trim (Two-pieces if 102"-144"H) snaps onto first and last Upright or Extension Upright in a run
- Can be used on both sides of Extension Uprights where Extension Backs are



Product Options and Numbers

Example Part #: **UET 48 PLT**

Upright/Extension Upright End Trim: **UET**

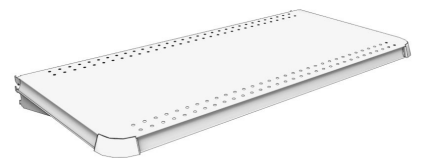
Height: 6", 12", 18", 24", 30", 36", 42", **48"**, 54", 60", 66", 72", 78", 84", 90", 96", 102", 108", 114", 120"

Standard Finish: **PLT**, Optional Catalog Colors

Suffix Key	
PLT	- Platinum

Contoured End Shelves

- Features rounded corners
- 1.235" Tag Molding formed on three sides
- Will not accommodate Wire Fronts
- Evenly distributed load of 300 lbs per Shelf
- Available in Standard (rounded corners both sides) or LH and RH (rounded



Product Options and Numbers

Example Part #: **CE 3 22 N PLT**

CED: Contour End Shelf

Round Corner: L (Left hand), R (Right hand) **Blank** (Both)

Width: 2', 30", **3'**, 4'

Depth: 10", 13", 15", 16", 17", 19", **22"**

No Molding: **N**

Standard Finish: **PLT** Optional Catalog Colors

Suffix Key

N	- No Molding
PLT	- Platinum