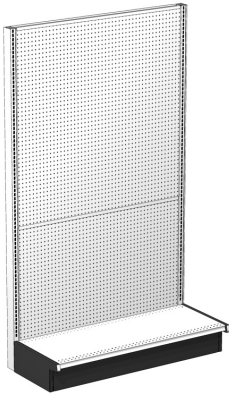


| You are in: Lozier Products > Products > Wall Section (1/4" Backs)

# Wall Section (1/4" Backs)

Part Number:



## Product Details:

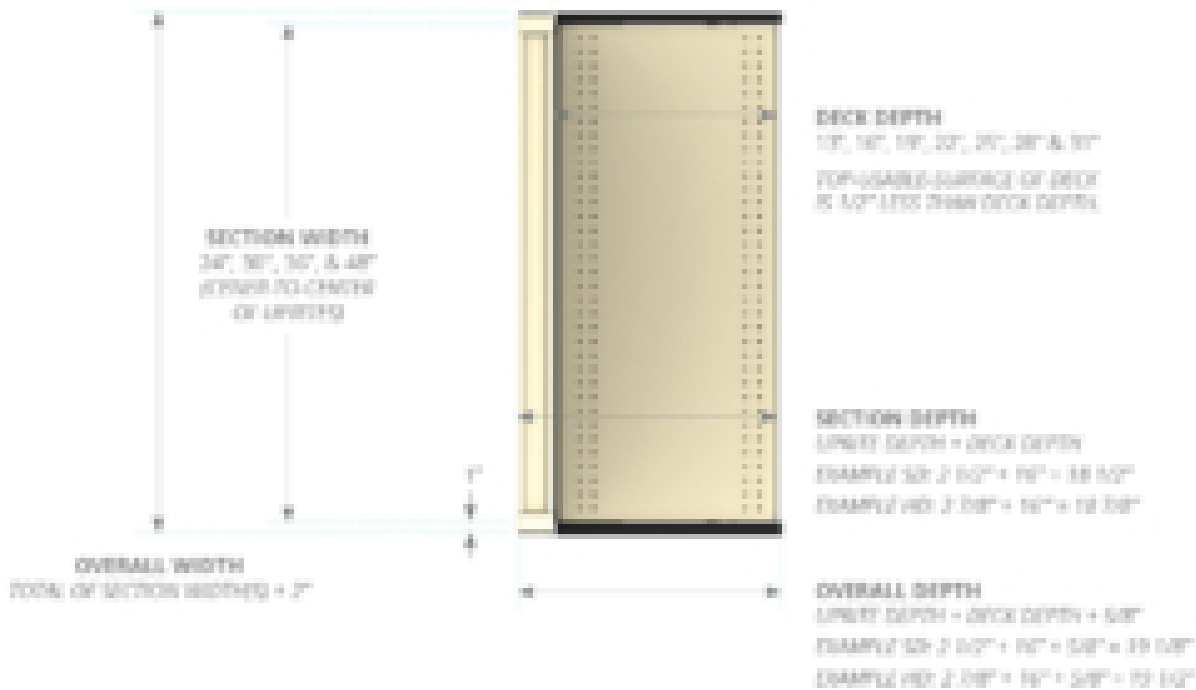
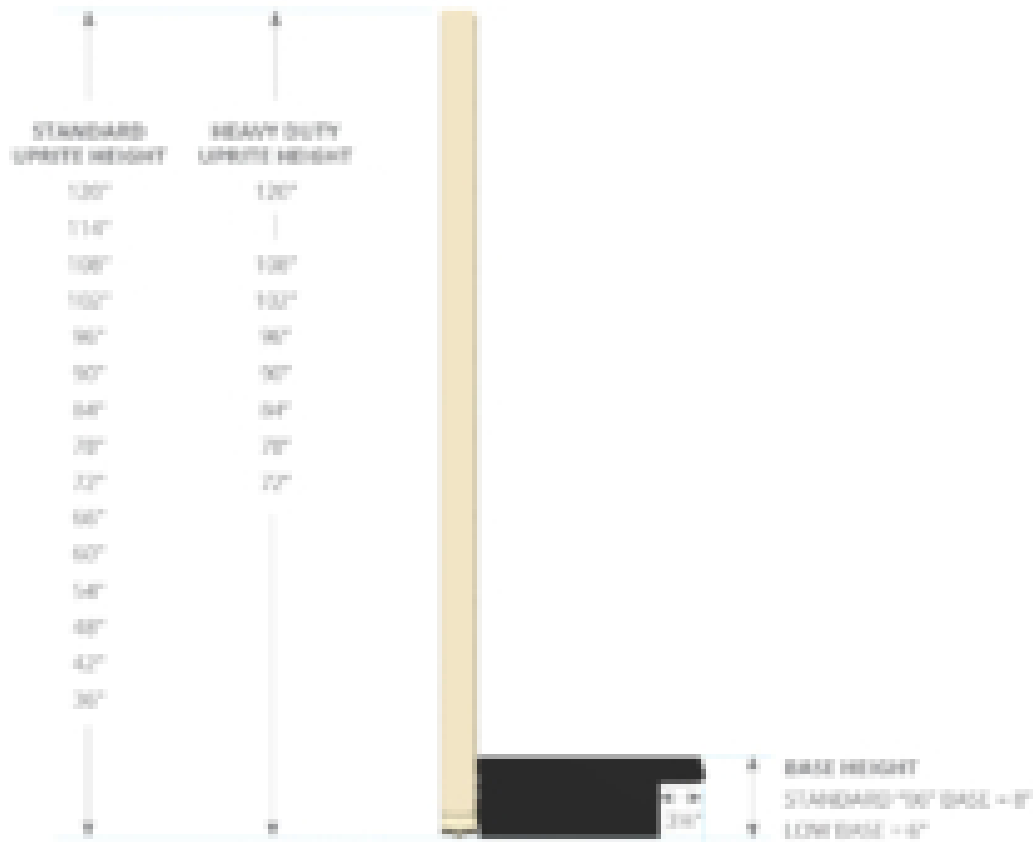
### Standard Duty- Load Rating

- Low Base -15,000 inch lbs unbalanced
- 06 Base- 12,000 inch lbs unbalanced

### Heavy Duty- Load Rating

- Low Base -18,000 inch lbs unbalanced
- 06 Base- 20,000 inch lbs unbalanced

## DIMENSIONS

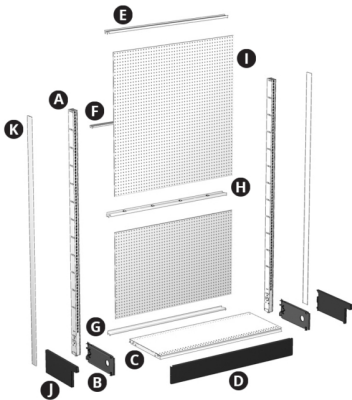


## How to Order

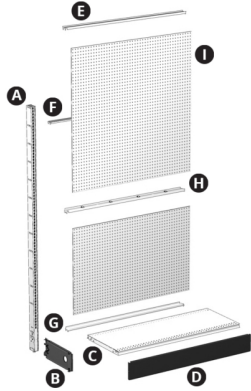
---

	STARTER QTY.	ADD- ON QTY.
<b>A.</b> Upright Base Bracket	2	1
<b>B.</b> (Standard or Heavy Duty)	2	1
<b>C.</b> Deck (Standard or Heavy Duty)	1	1
<b>D.</b> Base Front (Open or Closed)	1	1
<b>E.</b> Top Rail	1	1
<b>F.</b> Center Rail (2 per section 96H-120H)	1 or 2	1 or 2
<b>G.</b> Bottom Rail	1	1
<b>H.</b> Splicer Rail (Sections 78H-120H) Use 2 top rails for splicer on 2' and 30" wide sections.	1	1
<b>I.</b> Back Material (1 or 2 per side)	See Back Chart	See Back Chart
<b>J.</b> Base End Trim (Pair)	1	0
<b>K.</b> Upright End Trim	2	0

### STARTER



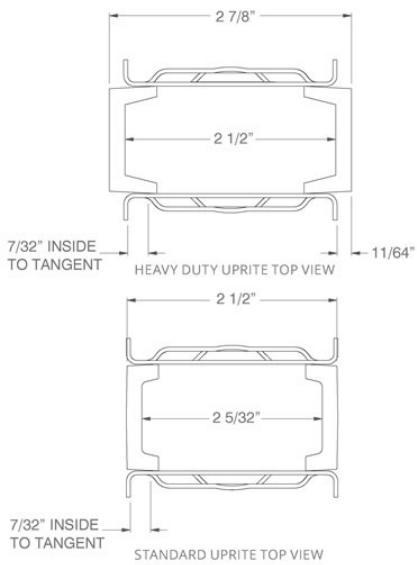
## ADD-ON



## Uprite

---

- 3/16" thick face channel
- 1" slotted on center for maximum flexibility
- Use for Wall and Island Sections
- Steel welded construction
- Includes side flanges to retain Back material, leveling leg for uneven floors
- Includes Top Caps on Uprites 36"-66"H



## Product Options and Numbers

Example Part #: **U 42 PLT**

**Uprite:** **U**, UH

**U Height:** 30", 36", **42"**, 48", 54", 60", 66", 72", 78", 84", 90", 96", 102", 108", 114", 120"

**UH Height:** 72", 78", 84", 90", 96", 108", 120"

**Standard Finish:** **PLT**, Optional Catalog Colors

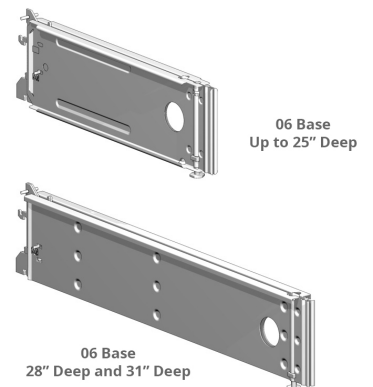
Suffix Key	
<b>PLT</b>	- Platinum
<b>U</b>	- Uprite
<b>UH</b>	- Heavy Duty Uprite

## Spring Locking Base Bracket

- Features 2" conduit hole for greater electrical access
- Includes leveling legs for uneven flooring
- Install straight in using integral spring latch
- 28" deep and 31" deep base brackets are only Heavy Duty. There are no Standard Duty 28" deep or 31" deep base brackets.

### NOTE

Actual Bracket length is 3" less than nominal Deck depth. Order CHR Base Brackets when using Open Base Fronts. (This is done automatically when section/end part numbers are ordered with OBF's.)



## Product Options and Numbers

Example Part #: **BB 19 06 S PTD**

**Base Bracket:****BB (Standard Duty)**, BBH (Heavy Duty)

Deck Depth BB:13", 16", **19"**, 22", 25", 28", 31"

Deck Depth BBH:16", 19", 22", 25"

Base Height: **06**, LB

Spring Locking Base Bracket: **S**

Standard Finish: **PTD**, Optional CHR

\* BB28 and BB31 are rated for Heavy Duty

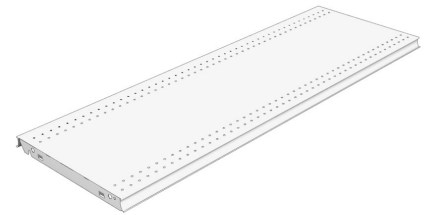
#### Suffix Key

<b>06</b>	- 06 Base (8"H)
<b>LB</b>	- Low Base (6"H)
<b>PTD</b>	- Painted Random
<b>CHR</b>	- Charcoal Black

## SD Deck

---

- Standard Deck style for Island and Wall runs
- Molding accommodates a 1.235" tag
- 1/4" perforations for clip-on accessories
- Evenly distributed load of 600 lbs (13"-19"D) and 800 lbs (22"-31"D)



## Product Options and Numbers

Example Part #: **SD 4 16 N PLT**

SD Deck: **SD**

Width: 2', 30", 3', **4'**

Base Depth: 13", **16"**, 19", 22", 25", 28", 31"

No Molding: **N**

Standard Finish: **PLT**, Optional Catalog Colors

#### Suffix Key

<b>N</b>	- No Molding
----------	--------------

PLT

- Platinum

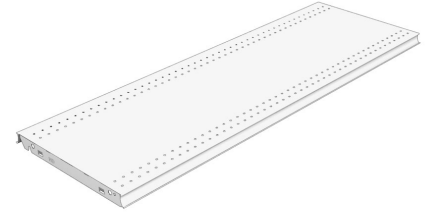
## HDSD Deck

---

- Heavy Duty Deck holds 50% higher load capacity
- Tag moldings and perforations similar to SD style
- Evenly distributed load of 900 lbs (19"D) and 1,200 lbs (22"-31"D)

### Product Options and Numbers

Example Part #: **HDSD 4 19 N PLT**



HDSD Deck: **HDSD**

Width: **4'**

Base Depth: **19"**, 22", 25", 28", 31"

No Molding: **N**

Standard Finish: **PLT**, Optional Catalog Colors

#### Suffix Key

<b>N</b>	- No Molding
<b>PLT</b>	- Platinum

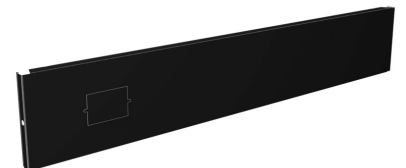
## Closed Base Front

---

- 3' and 4' Fronts have an electrical knockout
- Snaps in place beneath Deck to cover gap between Deck and floor
- Fits flush with floor regardless of leveling adjustments

### Product Options and Numbers

Example Part #: **CBF 4 06 CHR**



**Close Base Front:** CBF

**Section Width:** 2', 30", 3', 4'

**Base Height:** 06, LB

**Standard Finish:** CHR

Suffix Key	
06	- 06 Base (8"H)
LB	- Low Base (6"H)
CHR	- Charcoal Black

## Open Base Front

---

- Use Open Base Front instead of Closed Base Front
- Order CHR Base Brackets when using Open Base Front

## Product Options and Numbers

Example Part #: OBF 4 06 CHR



**Open Base Front:** OBF

**Section Width:** 2', 30", 3', 4'

**Base Height:** 06, LB

**Standard Finish:** CHR

Suffix Key	
06	- 06 Base (8"H)
LB	- Low Base (6"H)
CHR	- Charcoal Black

## Top Rail

---



- All Island and Wall Sections require one Top, Center and Bottom Rail
- 2' and 30" sections use two Top Rails to make a Splicer Rail
- Electrical knockouts included on all Rails



## Product Options and Numbers

Example Part #: **R 4 T PLT**

**Rails:** R

**Width:** 2', 30", 3', 4'

**Top Rail:** T

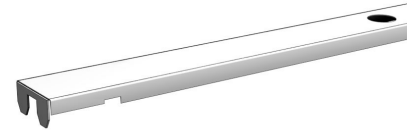
**Standard Finish:** PLT, Optional Catalog Colors

Suffix Key	
PLT	- Platinum Color

## Center Rail

---

- All Island and Wall Sections require one Top, Center and Bottom Rail
- 96"H-144"H Backs require two Center Rails
- Center Rail finish is always N/A because it's hidden
- Electrical knockouts included on all Rails



## Product Options and Numbers

Example Part #: **R 4 C N/A**

**Rails:** R

**Width:** 2', 30", 3', 4'

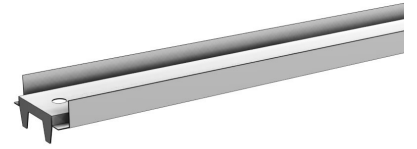
**Center Rail:** C

**Standard Finish:** N/A

## Bottom Rail

---

- All Island and Wall Sections require one Top, Center and Bottom Rail
- Electrical knockouts included on all Rails
- Also used for 2' and 30" Slotwall Backs



### Product Options and Numbers

Example Part #: **R 4 B PLT**

**Rails:**R

**Width:** 2', 30", 3', 4'

**Bottom Rail:** B

**Standard Finish:** PLT, Optional Catalog Colors

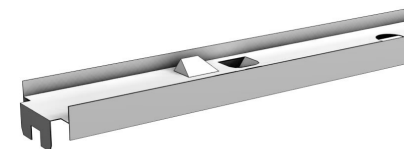
#### Suffix Key

PLT - Platinum Color

## Splicer Rail

---

- All Island and Wall Sections require one Top, Center and Bottom Rail
- 78"H - 144"H Backs require one Splicer Rail
- Splicer rail is not available in 2' or 30"
- Use two top rails for splicer rail on 2' and 30" wide sections.
- Electrical knockouts included on all Rails



### Product Options and Numbers

Example Part #: **R 4 S PLT**

**Rails:**R

**Width:** 3', 4'

## Splicer Rail: S

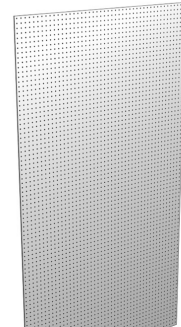
Standard Finish: **PLT**, Optional Catalog Colors

### Suffix Key

**PLT** - Platinum Color

## Hardboard Backs

- Use one-piece Backs for heights 36"-72"
- For heights above 72" order 2 backs, see table below
- Pegboard 9/32" diameter holes, 1" on center
- To order the correct size Back, take Upright height minus 6



## Product Options and Numbers

Section Heights: 78"-120" Use 2-Piece Backs		
Upright Height	Order Backs	
78"	BE_36 + BE_36	
84"	BE_30 + BE_48	
90"	BE_36 + BE_48	
96"	BE_42 + BE_48	
102"	BE_66 + BE_30	
108"	BE_66 + BE_36	
114"	BE_66 + BE_42	
120"	BE_66 + BE_48	

Actual Back Height Information		
Upright Height	Nominal Back Height	Actual Height
30"	24"	23 13/16"
36"	30"	29 13/16"
42"	36"	35 13/16"
48"	42"	41 13/16"
54"	48"	47 13/16"
60"	54"	53 13/16"

66"	60"	59 13/16"
72"	66"	65 13/16"
Actual Width Information		
Nominal Width	Actual Width	
6"	4 17/32"	
12"	10 17/32"	
16"	14 17/32"	
18"	16 17/32"	
24"	22 17/32"	
30"	28 17/32"	
32"	30 17/32"	
36"	34 17/32"	
42"	40 17/32"	
48"	46 17/32"	
Actual Back Height for Extension Uprite		
Uprite Height	Actual Height	
6"	5 13/16"	
12"	11 13/16"	
18"	17 13/16"	
24"	23 13/16"	
30"	29 13/16"	
36"	35 13/16"	
42"	41 13/16"	
48"	47 13/16"	

## Uprite and Extension Uprite End Trim

---

- One-piece trim (Two-pieces if 102"-144"H) snaps onto first and last Uprite o
- Can be used on both sides of Extension Uprites where Extension Backs are



## Product Options and Numbers

Example Part #: **UET 48 PLT**

Uprite/Extension Uprite End Trim: **UET**

Height: 6", 12", 18", 24", 30" 36", 42", **48"**, 54", 60", 66", 72", 78", 84", 90", 96", 102", 108", 114", 120"

Standard Finish: **PLT**, Optional Catalog Colors

### Suffix Key

**PLT**

- Platinum