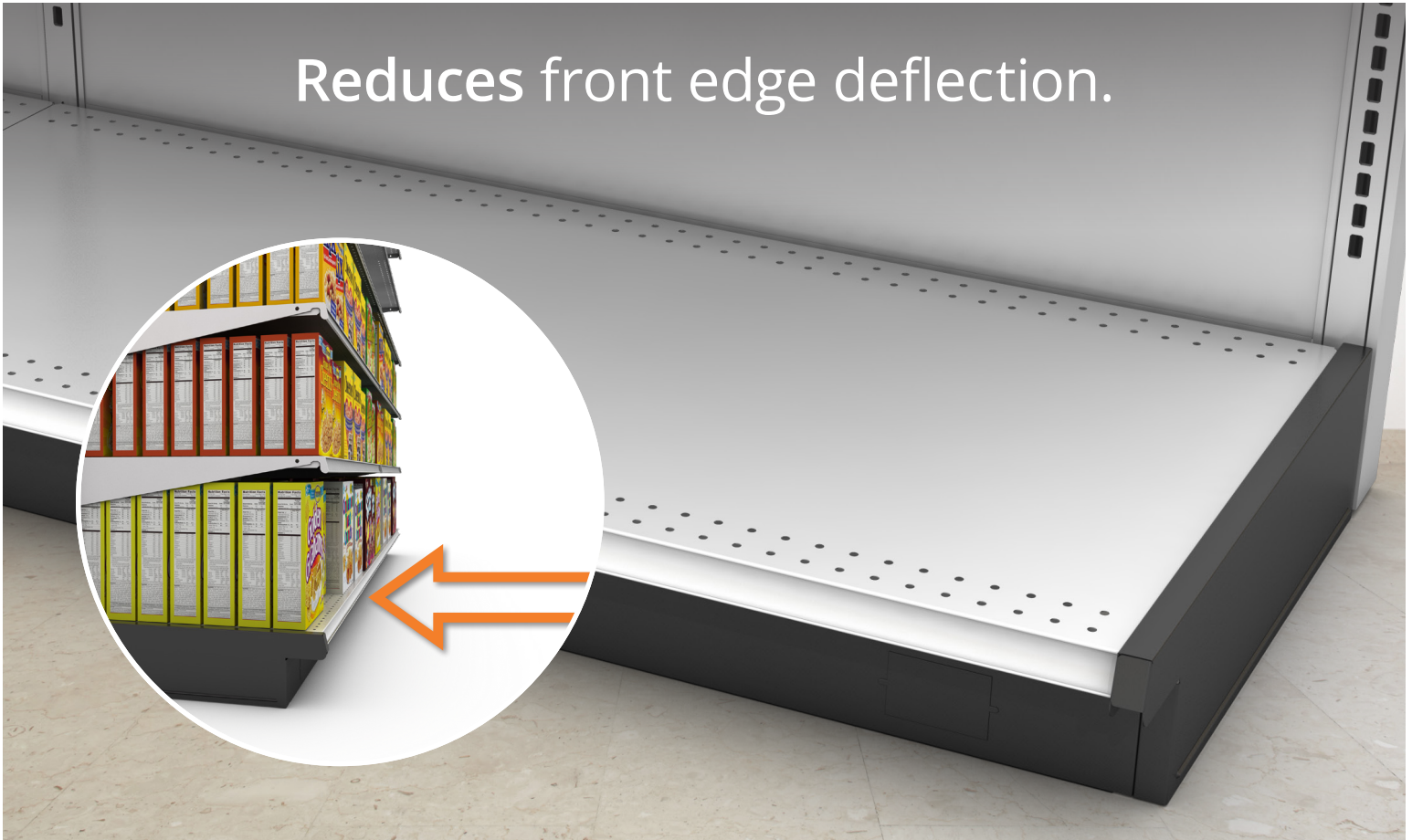


# SDRE DECK

Reduces front edge deflection.



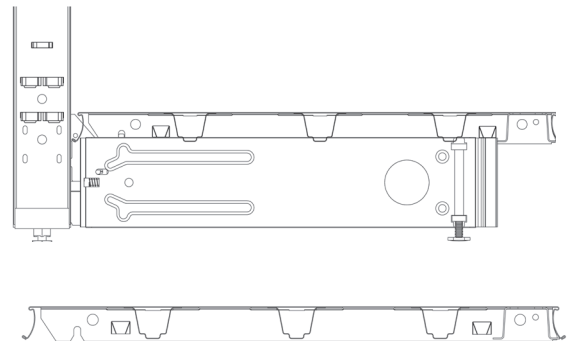
## ORDERING INFORMATION

### SDRE DECK

- Reinforced tag area reduces deflection at front of deck
- All other features are identical to a SD Style Deck
- Can order with Aluminum Tag Moldings installed or can order molding separately

Example Part # :	<b>SDRE</b>	<b>4</b>	<b>16</b>	<b>N</b>	<b>PLT</b>
	1.	2.	3.	4.	5.

- SDRE Deck: SDRE**
- Width: 3', 4'**
- Base Depth: 13", 16", 19", 22", 25", 28", 31"**
- Molding: N, M13S, M13G, M35S, M35G, M55S, M55G**
- Standard Finish: PLT, Optional Catalog Colors**



600 lbs evenly distributed (13"-19"D)  
800 lbs evenly distributed (22"-31"D)