

INSTALLATION INSTRUCTIONS

MERCHANDISING PANEL OUTSIDE MOUNT KIT

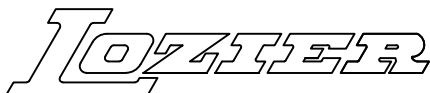
* = ORDERED SEPARATELY

TOTAL SHELF LOAD CAPACITY FOR ENTIRE PANEL = 400 LBS / (4,400 IN/LBS MAX)

*	6	HMA4381	2	TOP RAIL HOLD DOWN
	5	56027	6	#10-32 X 3/8 SELF-TAPPING SCREW
	4	32109-02	2	BASE ANGLE
	3	206750-001	1	MOUNTING CLIP
	2	UBT06 OR UBTLB	1	UPRITE BASE END TRIM
	1	FMP_ OR FCP_	1	MERCHANDISING PANEL
ITEM	PART NUMBER	QTY	DESCRIPTION	
PARTS LIST				

WARNING: When using Item 1 on a fixture, where the First Shelving Section behind item 1 is not equipped with shelves that engage into the uprite slots, top rail hold down clips with Uprite Insert (Lozier P/N HMA4381) must be installed as shown in Figure 5. Failure to do this could allow the top rail to become disengaged, and the fixture to fall over, causing product damage or personal injury.

WARNING: The lowest shelf must be at or below 27" (685mm) above the finished floor or a cane detectable barrier must be used below the shelves. To keep individuals from contacting shelves that protrude into aisles.



INSTALLATION INSTRUCTIONS

MERCHANDISING PANEL OUTSIDE MOUNT KIT

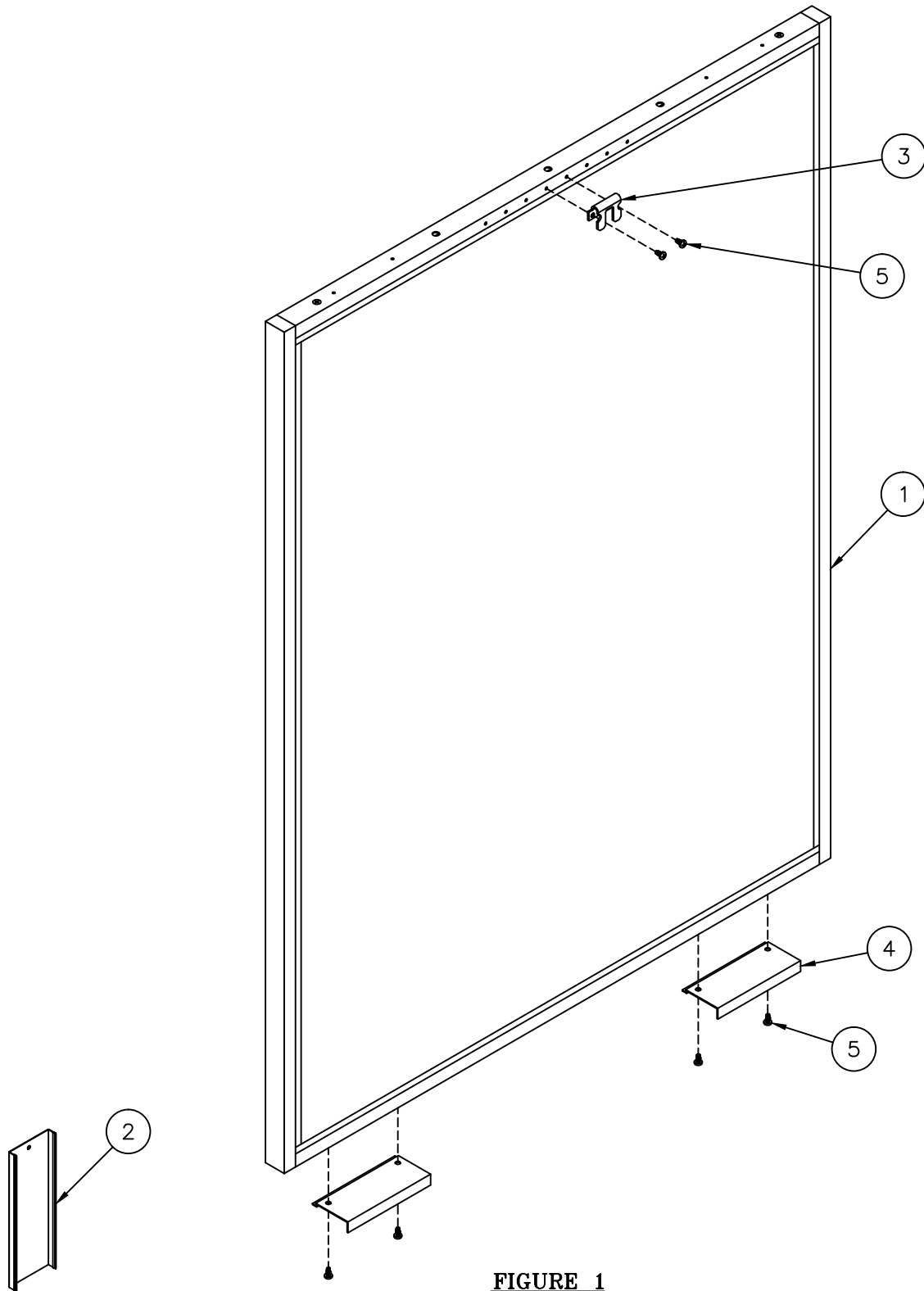


FIGURE 1

INSTALLATION INSTRUCTIONS

MERCHANDISING PANEL OUTSIDE MOUNT KIT

NOTE: When the merchandising panel is to be used with an end deck (ED), install the ED first (see installation instructions packed with ED).

STEP 1: The island section must have an end deck (ED) and a base end trim (BET) in place before installing the merchandising panel. If installing an extension uprite and end trim, do so before proceeding to Step 2.

NOTE: Island section levelers must be extended far enough so bottom edge of base end trim (BET) does not touch floor.

STEP 2: If no end deck (ED), install uprite base end trim on the bottom of the uprite as shown in Figure 2.

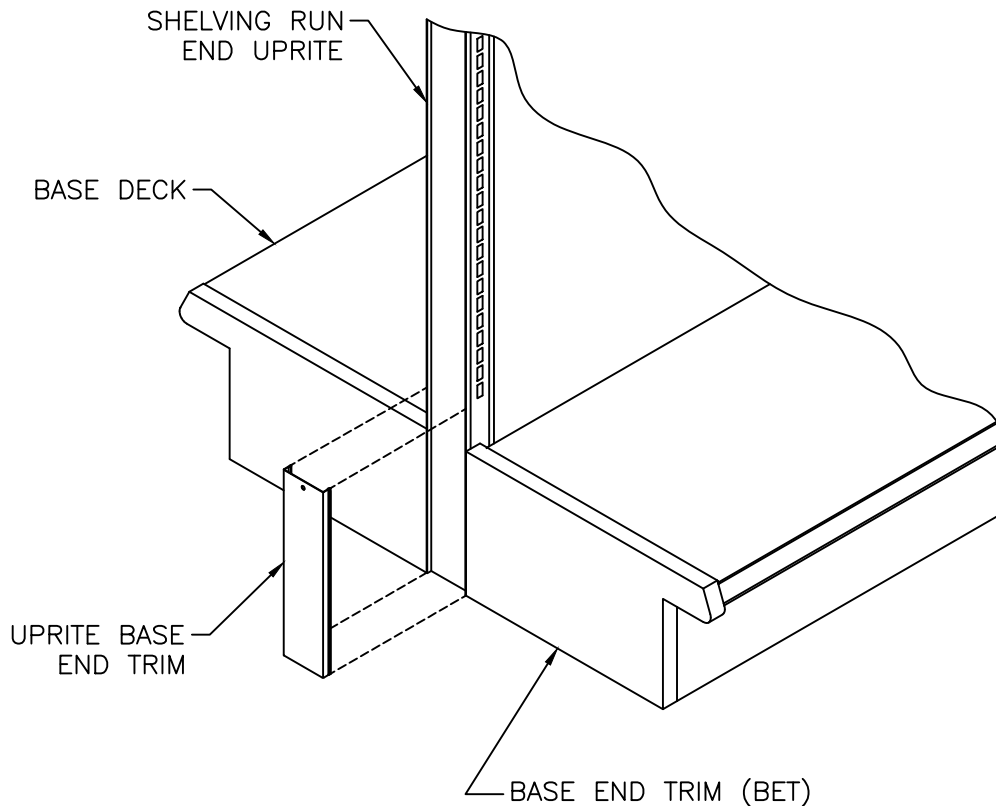
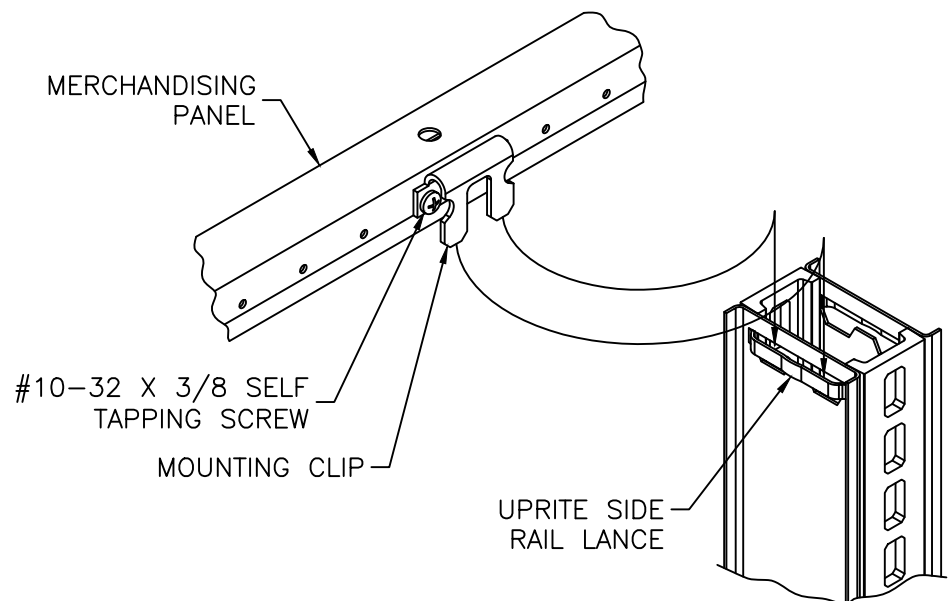
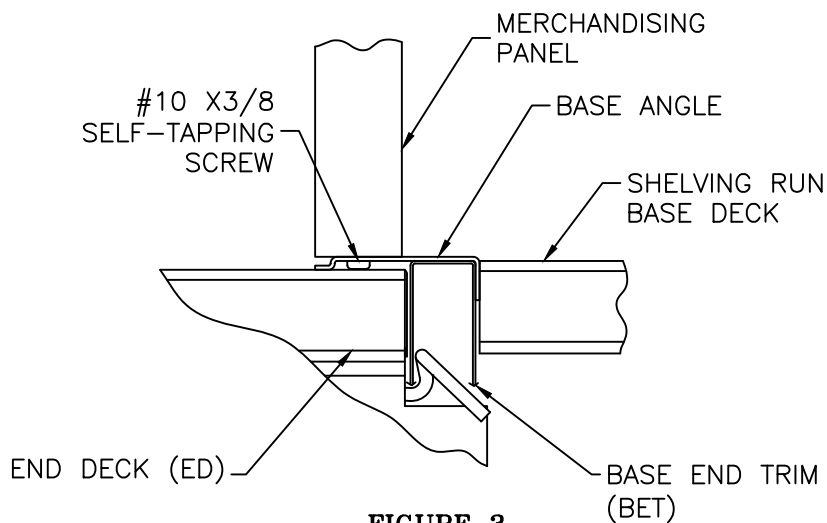


FIGURE 2

INSTALLATION INSTRUCTIONS

MERCHANDISING PANEL OUTSIDE MOUNT KIT

- STEP 3:** Install base angles (Item 4) with (4) #10-32 x 3/8 self-tapping screws (Item 5) on merchandising panel bottom frame thru holes provided. (See Figure 3.)
- STEP 4:** Fasten mounting clip (Item 3) to the merchandising panel using (2) #10-32 x 3/8 self-tapping screws (Item 5). Choose holes according to offset desired. (See Figure 4.)
- STEP 5:** Insert legs of mounting clip into the side rail lance. (See Figure 4.)
- STEP 6:** Insert flanges of base angles between BET and base deck. (See Figure 3.)



INSTALLATION INSTRUCTIONS

MERCHANDISING PANEL OUTSIDE MOUNT KIT

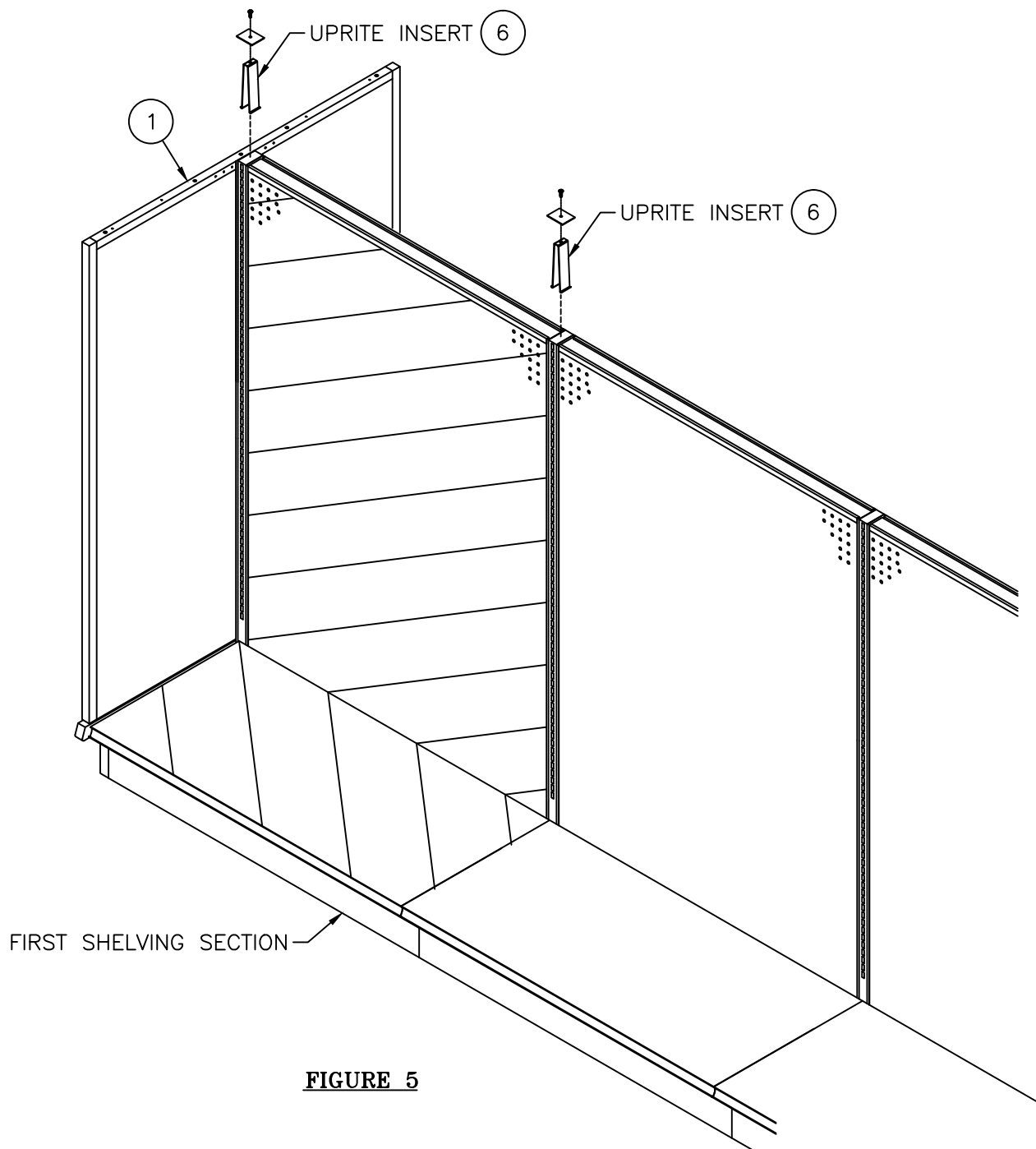


FIGURE 5